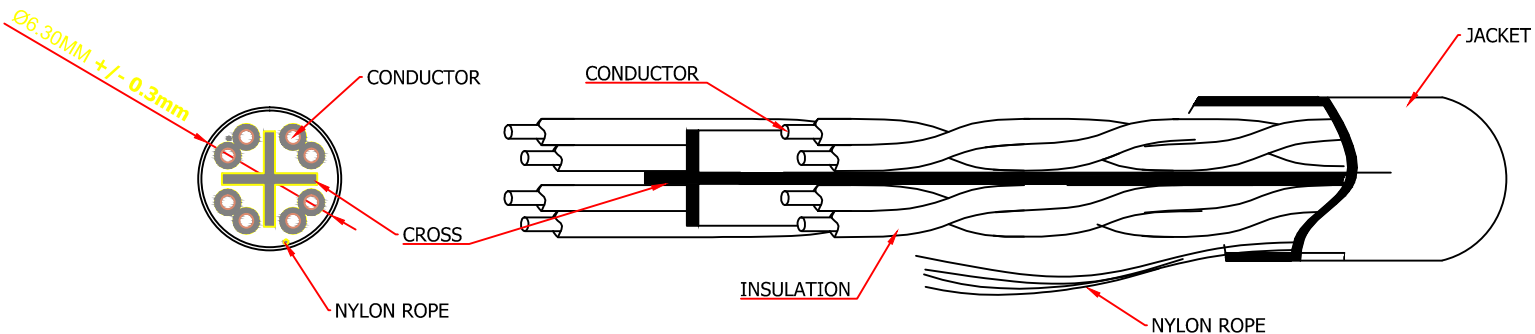


1 2 3 4 5 6 7 8

A  
B  
C  
D  
E  
F

A  
B  
C  
D  
E  
F



**Product Specifications**

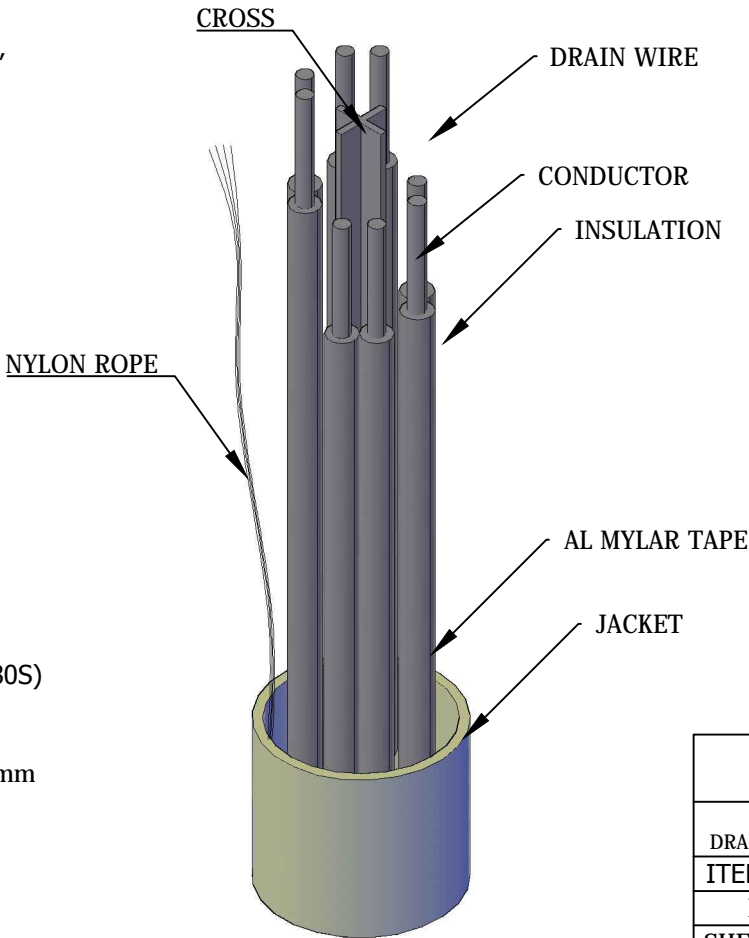
Wire Characteristics  
 Cable Type UTP "Unshielded Twisted Pair"  
 Number of Pairs 4  
 Number of Wires 8  
 Wire Type Solid Bare Copper  
 Wire Gauge Size 23 AWG

Internal Characteristics  
 Internal Jacket Material HDPE(CMI-75E)  
 Average Min. Thickness 0.178 mm  
 Min. Thickness 0.153 mm

Color Combinations  
 Pair 1 Blue and White / Blue  
 Pair 2 Orange and White / Orange  
 Pair 3 Green and White / Green  
 Pair 4 Brown and White / Brown

External Characteristics  
 External Jacket Designation CM  
 External Jacket Material 75°C PVC (CMI-80S)  
 Average Min. Thickness 0.585 mm  
 Min. Thickness 0.458 mm  
 Average Cable Diameter 6.3 mm +/- 0.3mm  
 Max. Strength 11 Kg  
 Available Jacket Colors Gray, Blue, Red

AB356NXT01 - GRAY  
 AB356NXT02 - BLUE  
 AB356NXT03 - RED



<b>NEXXT</b> SOLUTIONS			
DATE: JUN 2014		DRAWING: ZARRAGA	
ITEM N°: AB356NXTxx			
DES : U/UTP CABLE CAT6 23AWG CM			
SHEET	1 OF 1	SCALE	3:1

1 2 3 4 5 6 7 8